

# BIGMAX®

TC  
SERIES

## COMPACT TELESCOPIC MONO-BOOM CRANES

TC90 • 100 • 130 • 160 • 200 • 260 • 300 • 350

### FEATURES AND ADVANTAGES

- Enclosed low-maintenance slewing gear set
- Counter-balance valve protected extension cylinder
- Multi-function, proportional control valve
- Hoses are enclosed and protected
- Enclosed and protected power pack
- Flanged direct mounted counter-balance TC-130 and larger
- In-cab power shut-off with wiring

### SAFETY DEVICES

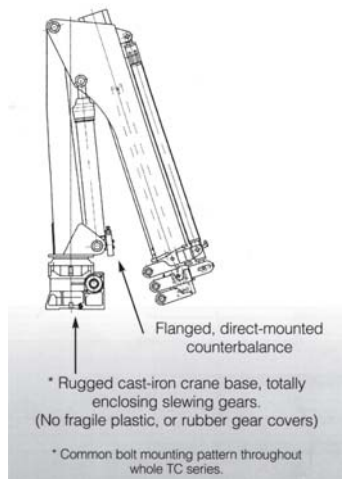
- In-cab power shutoff switch on DC models
- Overload protection
- Active and passive overload and hose failure protection
- Electro-hydraulic load limiting device – CE optional



- Rod-fed, hose free, side-by-side extension cylinders
- Sequenced boom extension cylinders
- Easy to install, multi-position control console
- One-Piece hexagonal booms with single weld
- Cast steel crane base encloses slewing gears (TC-130 and larger)
- SAE-JIC North American standard hoses and hose ends
- Common mounting bolt pattern and size to all TC cranes

### VERSIONS

- Low cost versions with manual functions-some models
- All models available in PTO Hydraulic or DC Hydraulic
- Models available with up to 4 hydraulic extensions
- Marine Versions

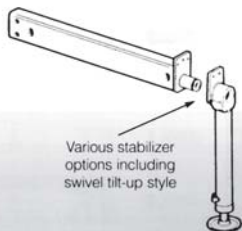


### OPTIONS

- Mechanical or hydraulic stabilizer outriggers with beams
- Mounting bases with or without stabilizers
- Winches, hydraulic or DC electric
- Modular mechanical extensions
- Factory painted custom colour
- Remote controls (wired or wireless)



SAE-JIC North American Standard hoses and hose ends readily available in Canada and USA



Various stabilizer options including swivel tilt-up style

# TC SERIES



## COMPACT TELESCOPIC MONO-BOOM CRANES

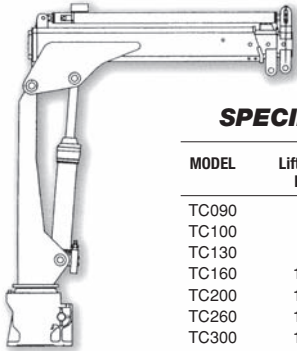
TC90 • TC100 • TC130 • TC160 • TC200 • TC260 • TC300 • TC350

Lifting solutions from...

**TECHNO  
CRANE**

Dealer

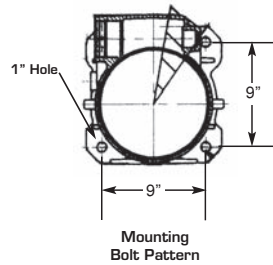
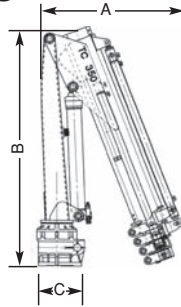
# BIGMAX®



# BIGMAX<sup>®</sup> TC Series

## SPECIFICATIONS OF THE SERIES

MODEL	Lift Moment Ft. Lbs.	Base Crane Weight Lbs.	Dimensions (inches)		
			A	B	C
TC090	6,200	242-332	24.6	48.8	11.8
TC100	6,710	277-332	24.6	48.8	11.8
TC130	8,800	341-396	31.3	48.9	12.2
TC160	10,250	341-396	31.3	48.9	12.2
TC200	14,430	417-530	32.0	59.1	11.8
TC260	17,175	497-601	33.9	63.0	11.8
TC300	19,850	521-653	33.9	63.0	11.8
TC350	24,900	650-860	41.0	67.0	13.0



### TC 90

Model	ft.	lbs.	ft.	lbs.	ft.	lbs.	ft.	lbs.
90M	3'7"	1750	6'3"	990				
90.1	3'7"	1750	6'3"	990	9'2"	649	12'0"	474
90.2	3'9"	1631	6'6"	915	9'2"	639	12'0"	474

### TC 100

Model	ft.	lbs.	ft.	lbs.	ft.	lbs.	ft.	lbs.
100.1	3'7"	1890	6'3"	1065	9'2"	690	12'0"	505
100.2	3'9"	1760	6'6"	990	9'2"	660	12'0"	505

### TC 130

Model	ft.	lbs.	ft.	lbs.	ft.	lbs.	ft.	lbs.
130.1	3'7"	2585	6'3"	1463	9'2"	976	12'0"	693
130.2	3'9"	2420	6'6"	1386	9'2"	957	12'0"	693

### TC 160

Model	ft.	lbs.	ft.	lbs.	ft.	lbs.	ft.	lbs.
160.1	3'7"	2895	6'3"	1650	9'2"	1100	12'0"	705
160.2	3'9"	2705	6'6"	1550	9'2"	1080	12'0"	705

Theoretical Lifting Capacity

HYDRAULIC

MANUAL  
OPTIONAL

### TC 200

Model	ft.	lbs.	ft.	lbs.	ft.	lbs.	ft.	lbs.
200.1	4'1"	3505	7'1"	2030	10'5"	1380	13'7"	882
200.2	4'4"	3275	7'5"	1920	10'5"	1355	13'7"	882
200.3	4'7"	2800	7'7"	1642	10'8"	1124	13'8"	893
							16'10"	639

### TC 260

Model	ft.	lbs.	ft.	lbs.	ft.	lbs.	ft.	lbs.
260.1	4'2"	4103	7'3"	2365	10'6"	1584	13'9"	1155
260.2	4'5"	3850	7'5"	2222	10'6"	1573	13'9"	1155
260.3	4'8"	3443	7'8"	2046	10'9"	1542	13'9"	1122
							16'10"	902

### TC 300

Model	ft.	lbs.	ft.	lbs.	ft.	lbs.	ft.	lbs.
300.1	4'4"	4521	7'5"	2662	10'8"	1804	13'11"	1342
300.2	4'7"	4257	7'7"	2530	10'8"	1793	13'11"	1320
300.3	4'10"	4026	7'10"	2409	10'8"	1705	13'11"	1320
							17'1"	1012

### TC 350

Model	ft.	lbs.	ft.	lbs.	ft.	lbs.	ft.	lbs.
350.1	4'9"	5296	8'2"	3042	11'11"	2061	15'8"	1521
350.2	5'0"	4971	8'6"	2888	11'11"	2039	15'8"	1521
350.3	5'3"	4696	8'8"	2756	12'2"	1929	15'8"	1488
							19'5"	1168
350.4	5'6"	4431	8'11"	2612	12'5"	1830	15'11"	1400
							19'5"	1146
							23'0"	893

Theoretical Lifting Capacity